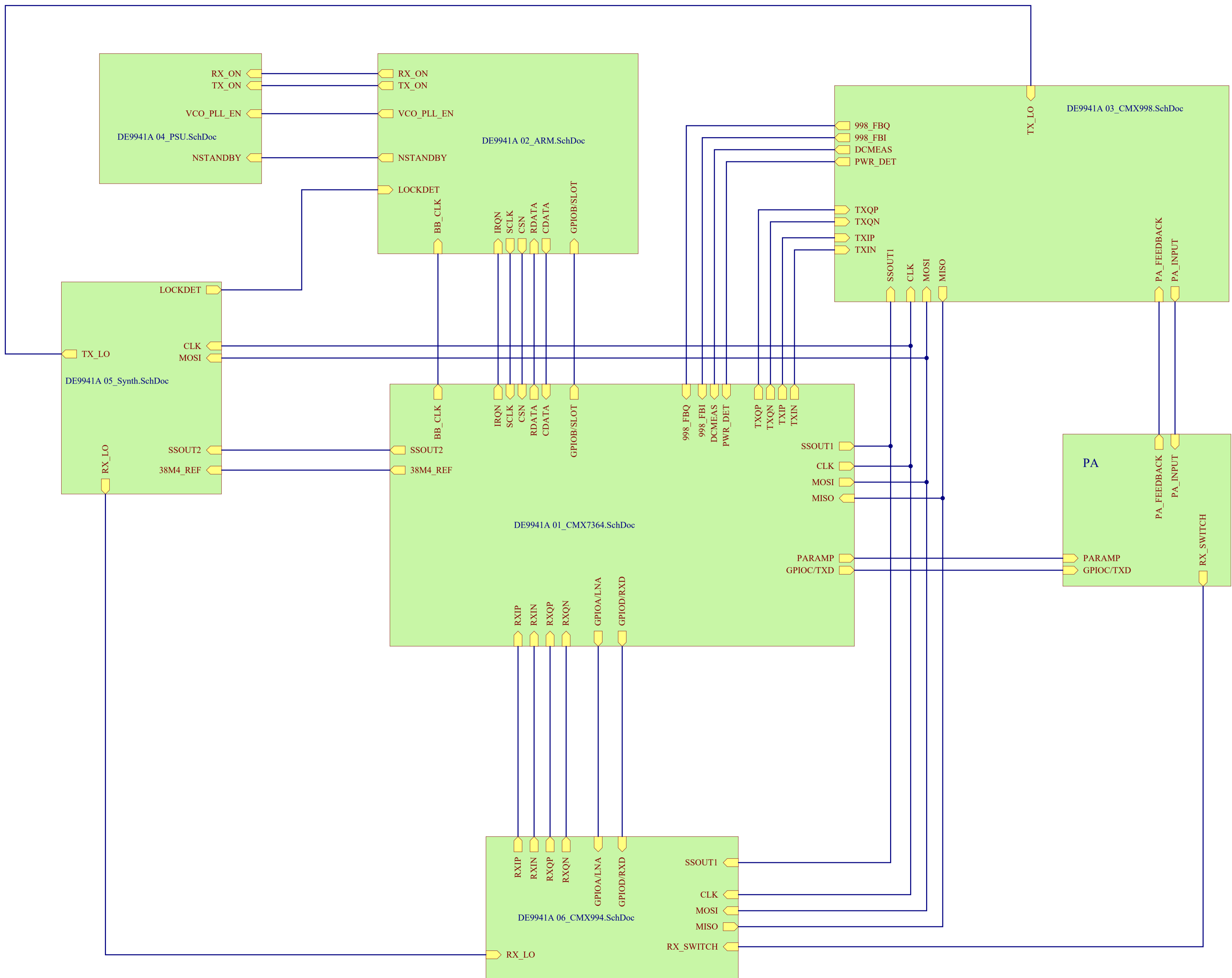
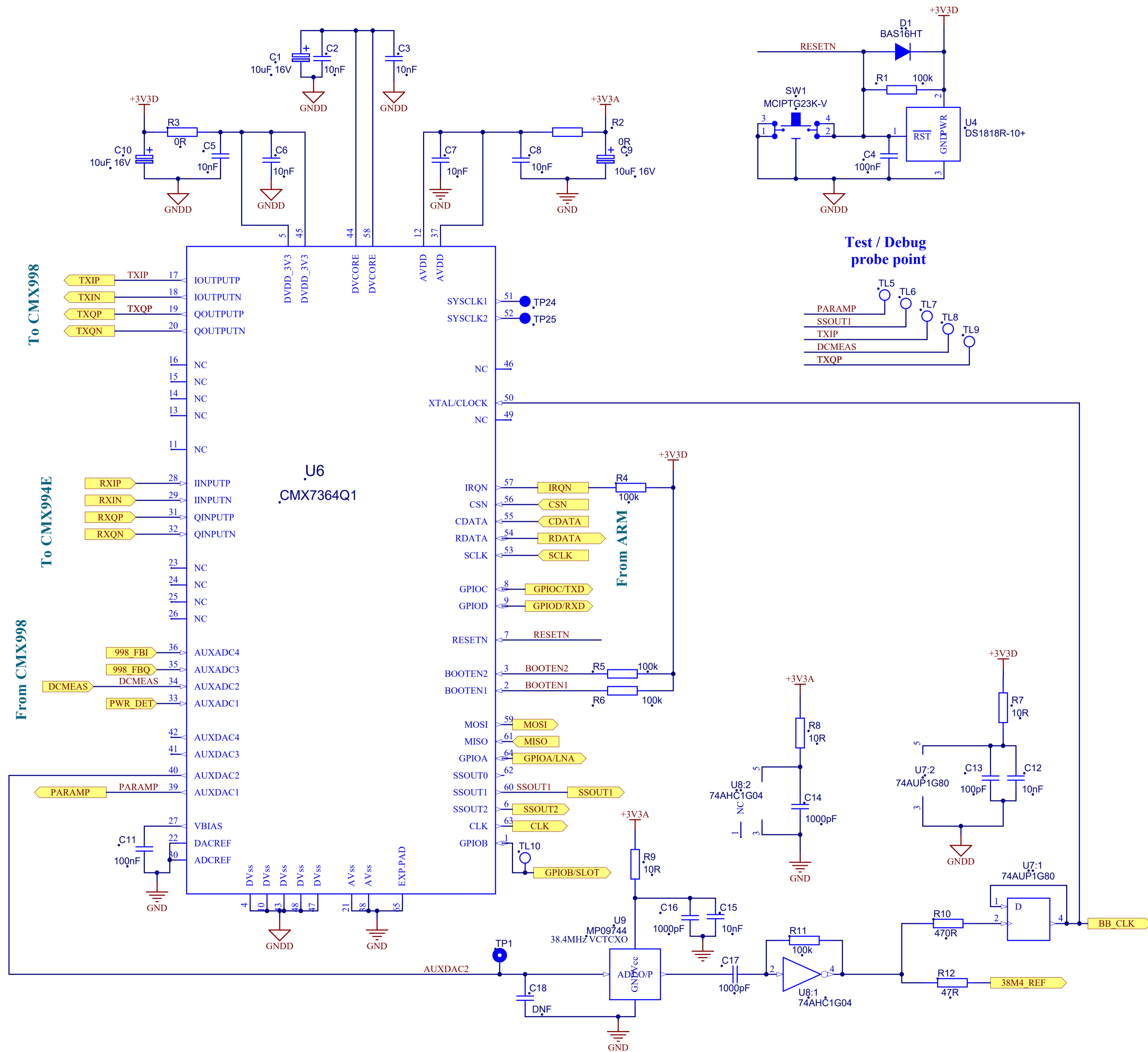
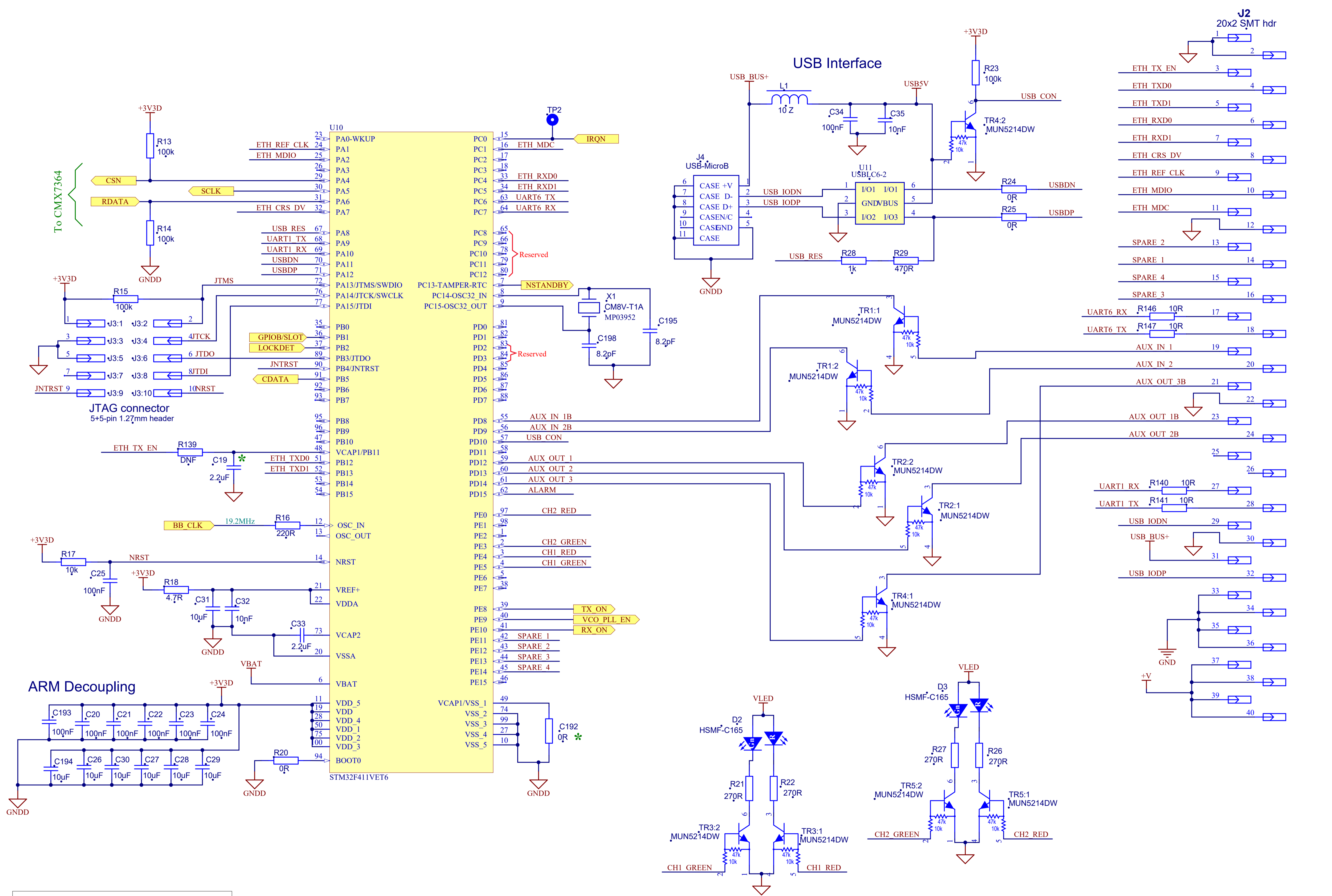


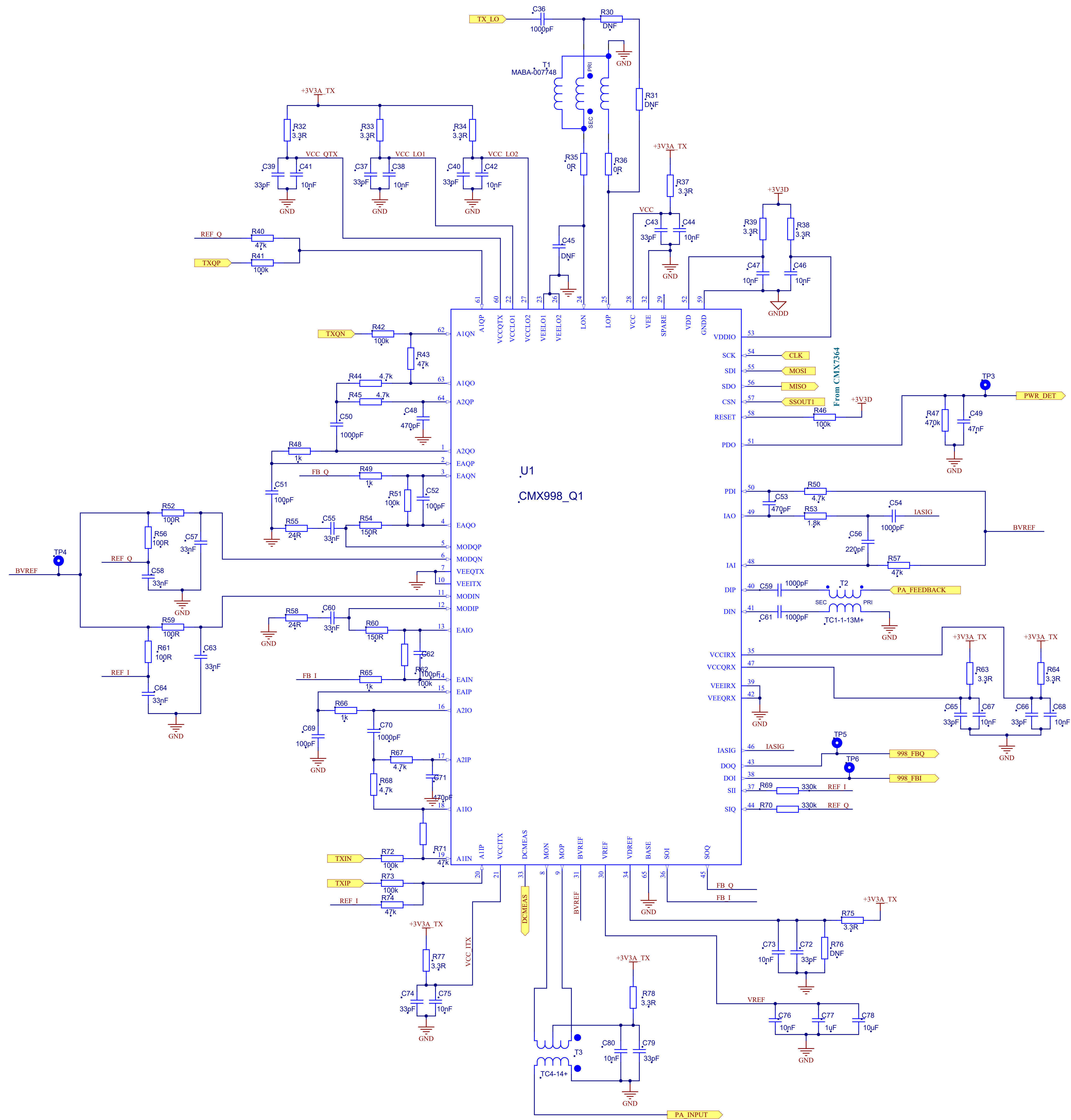
High Resolution Circuit Diagrams for DE9941A-375



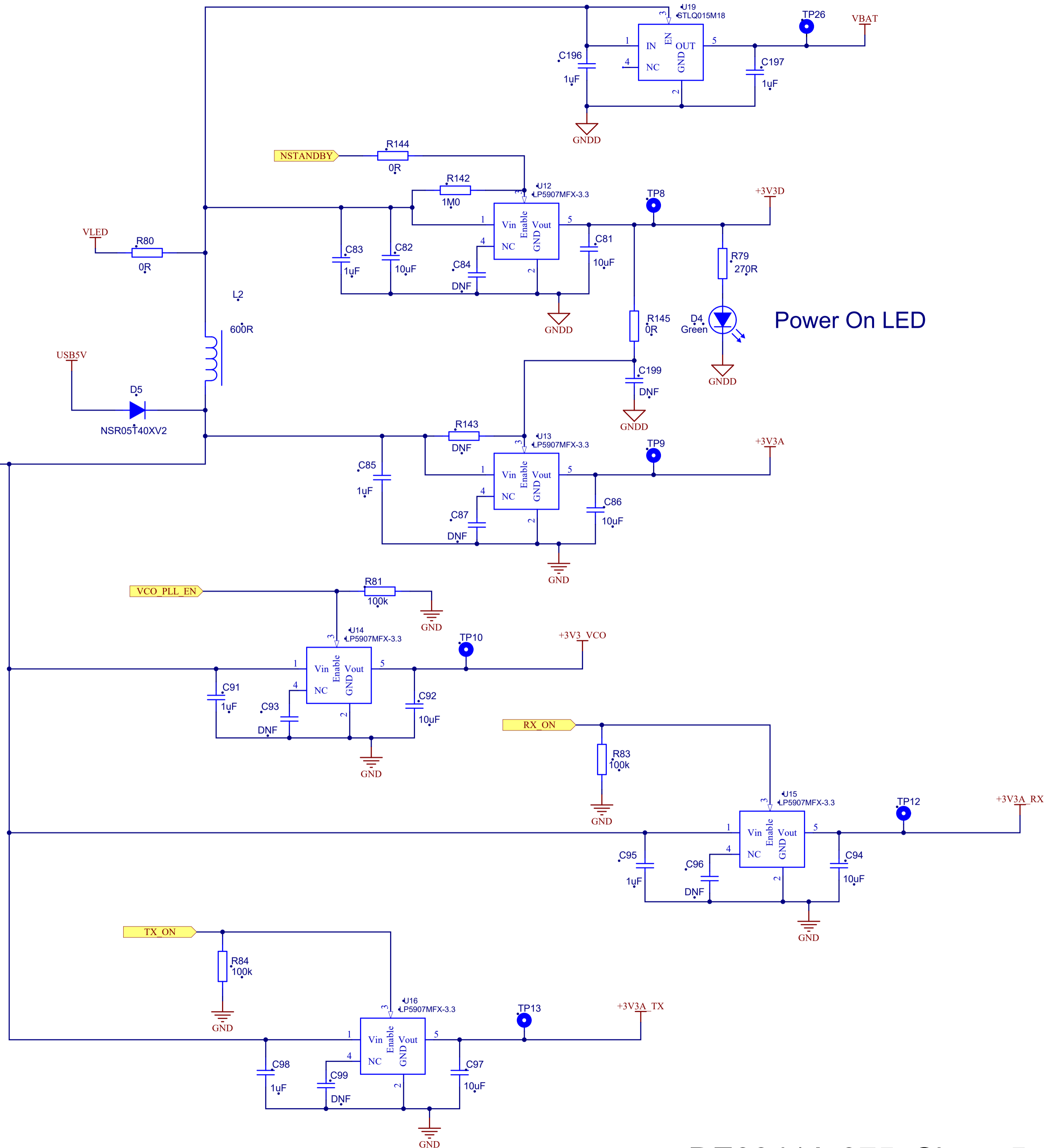
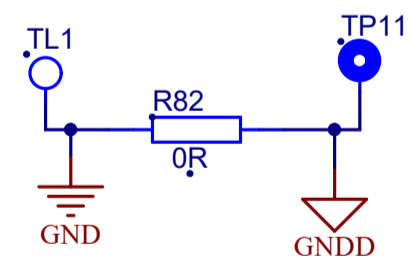
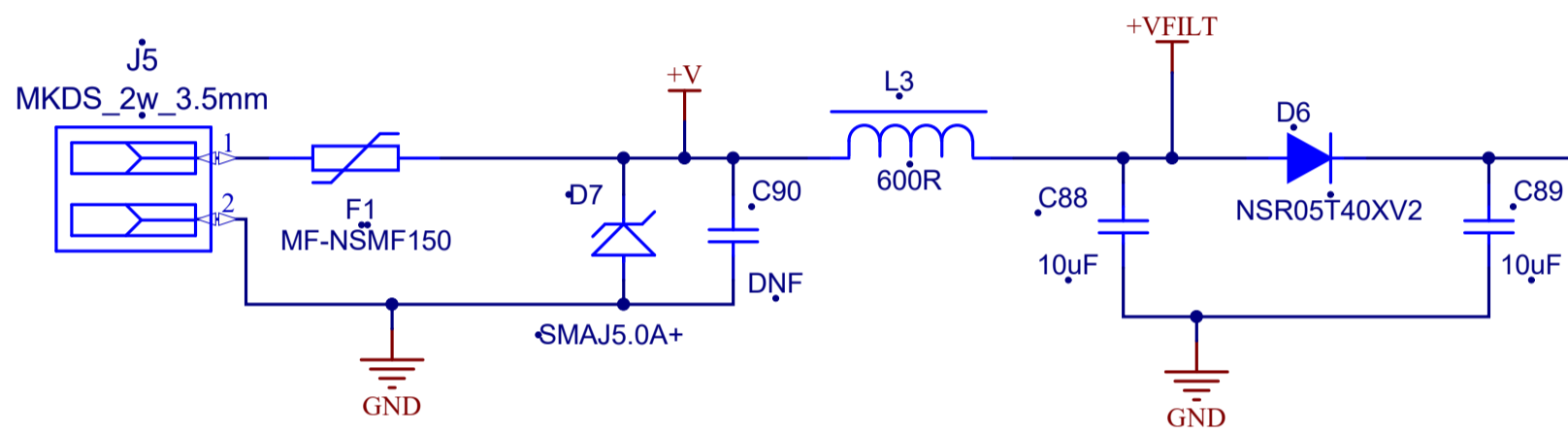


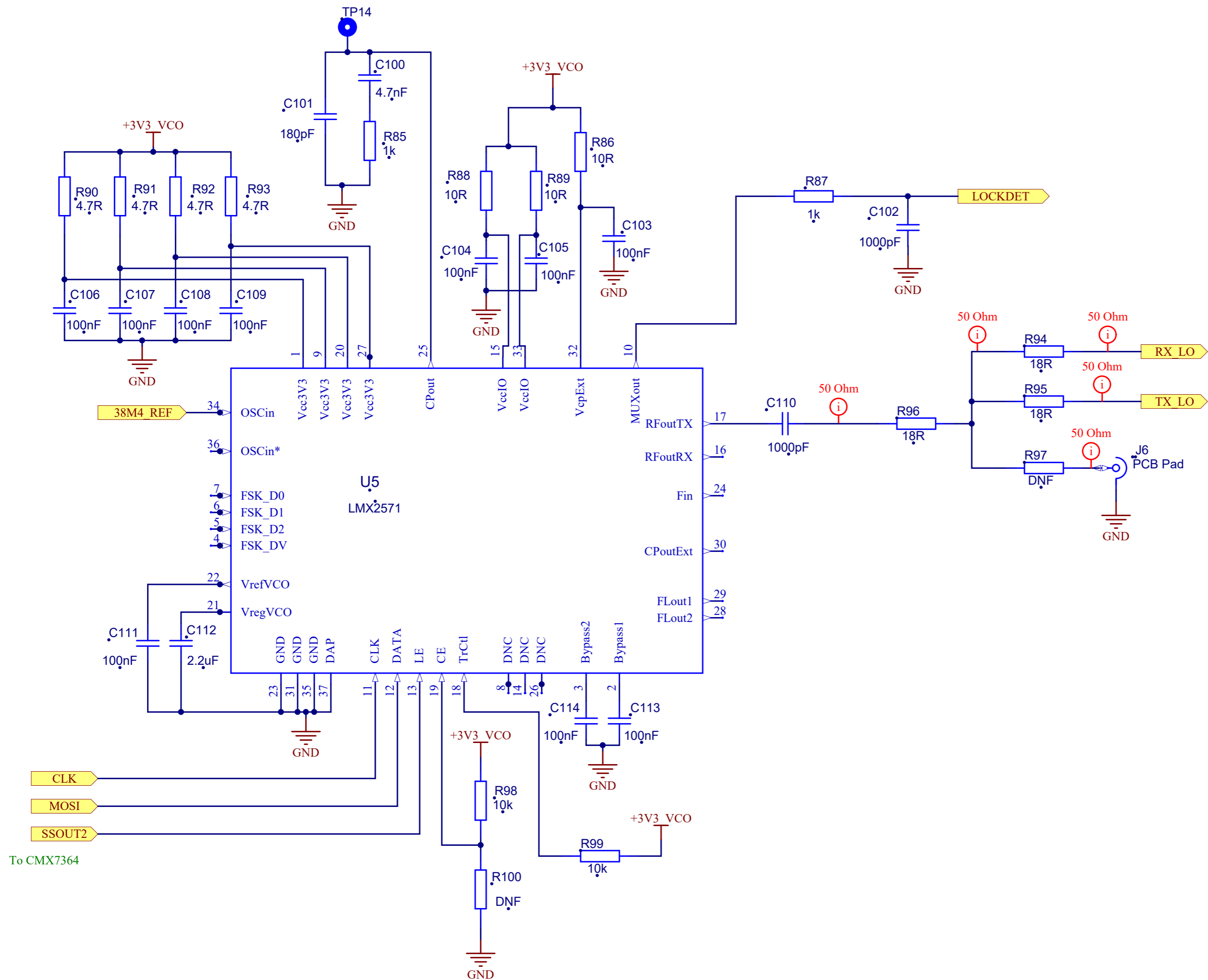


* If STM32F411 fitted, C19 = 2.2uF and C192 = 0R
 If STM32F17 fitted, C19 = DNF and C192 = 2.2uF



INPUT SUPPLY Nominal 4.5V





To CMX7364

